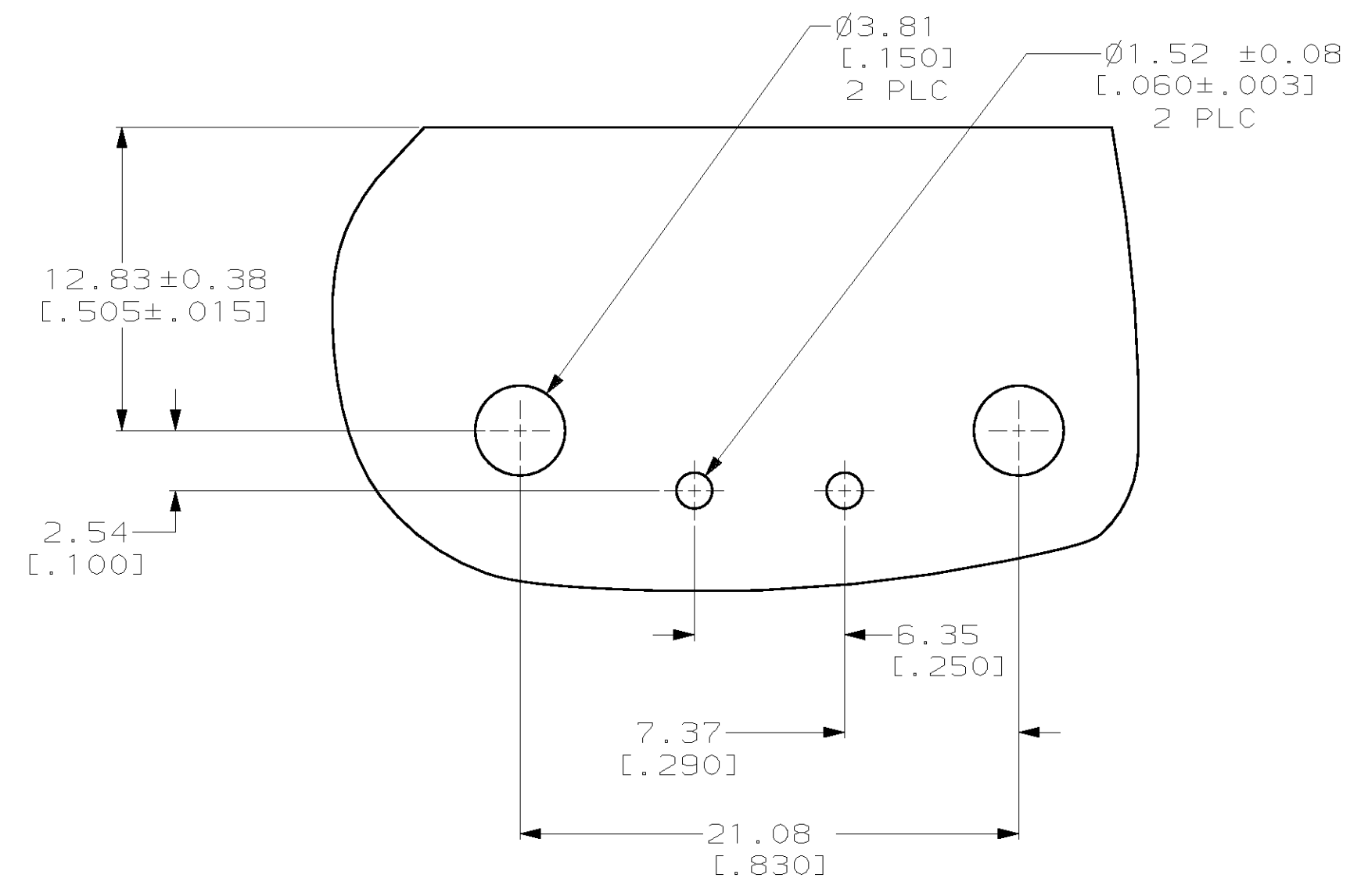
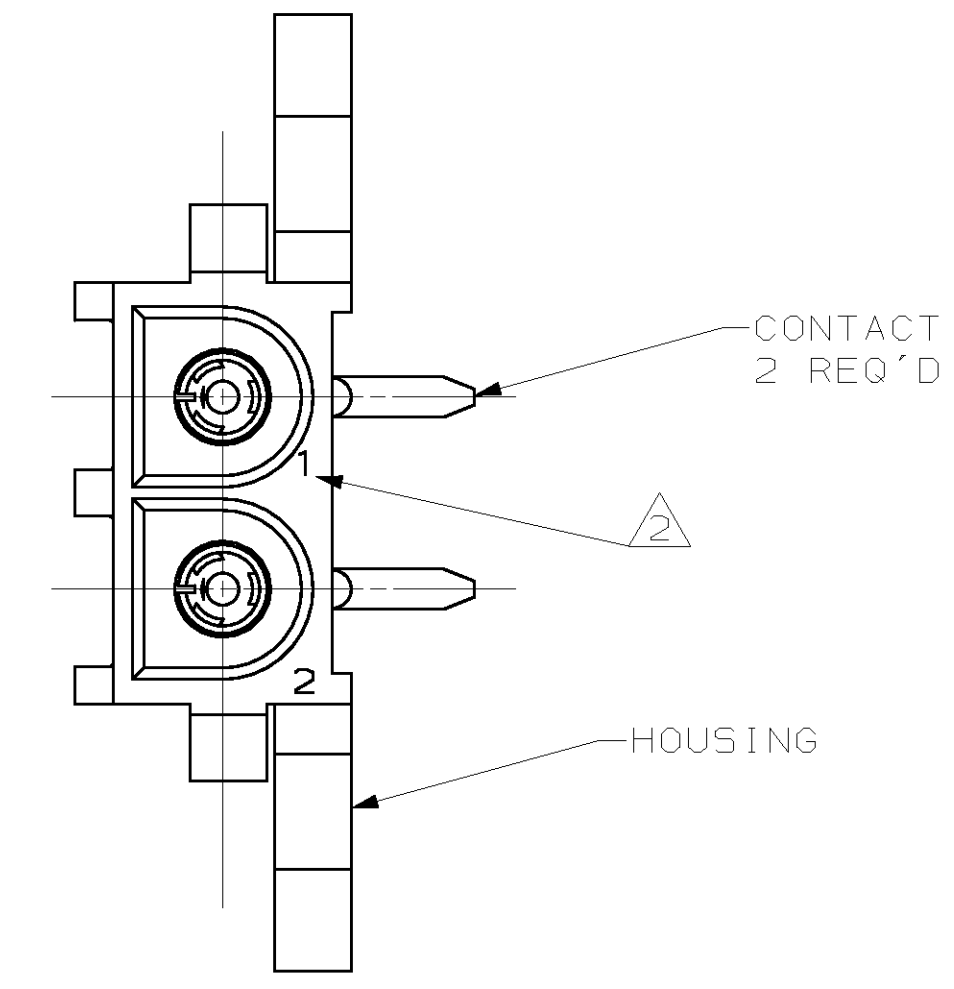
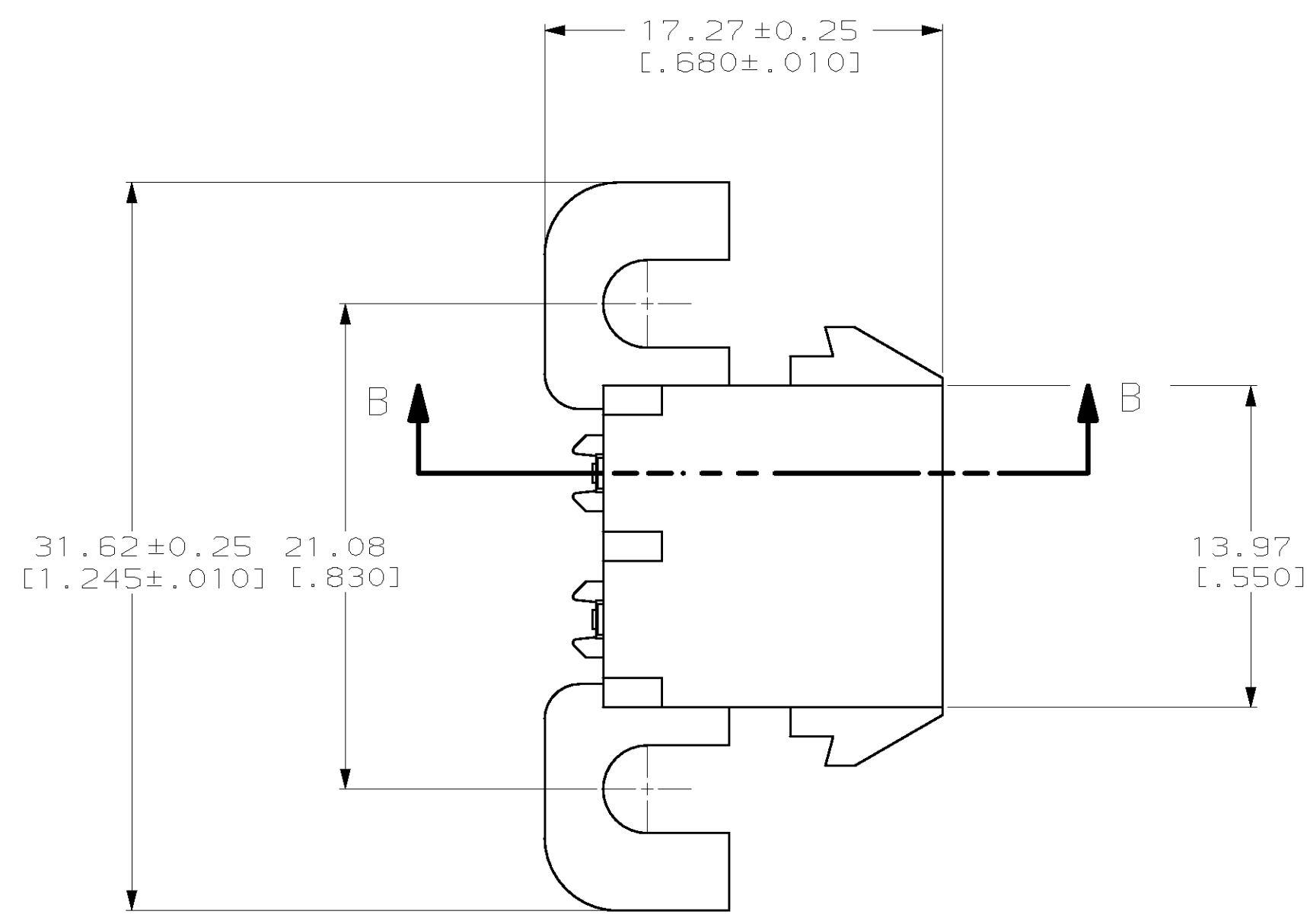
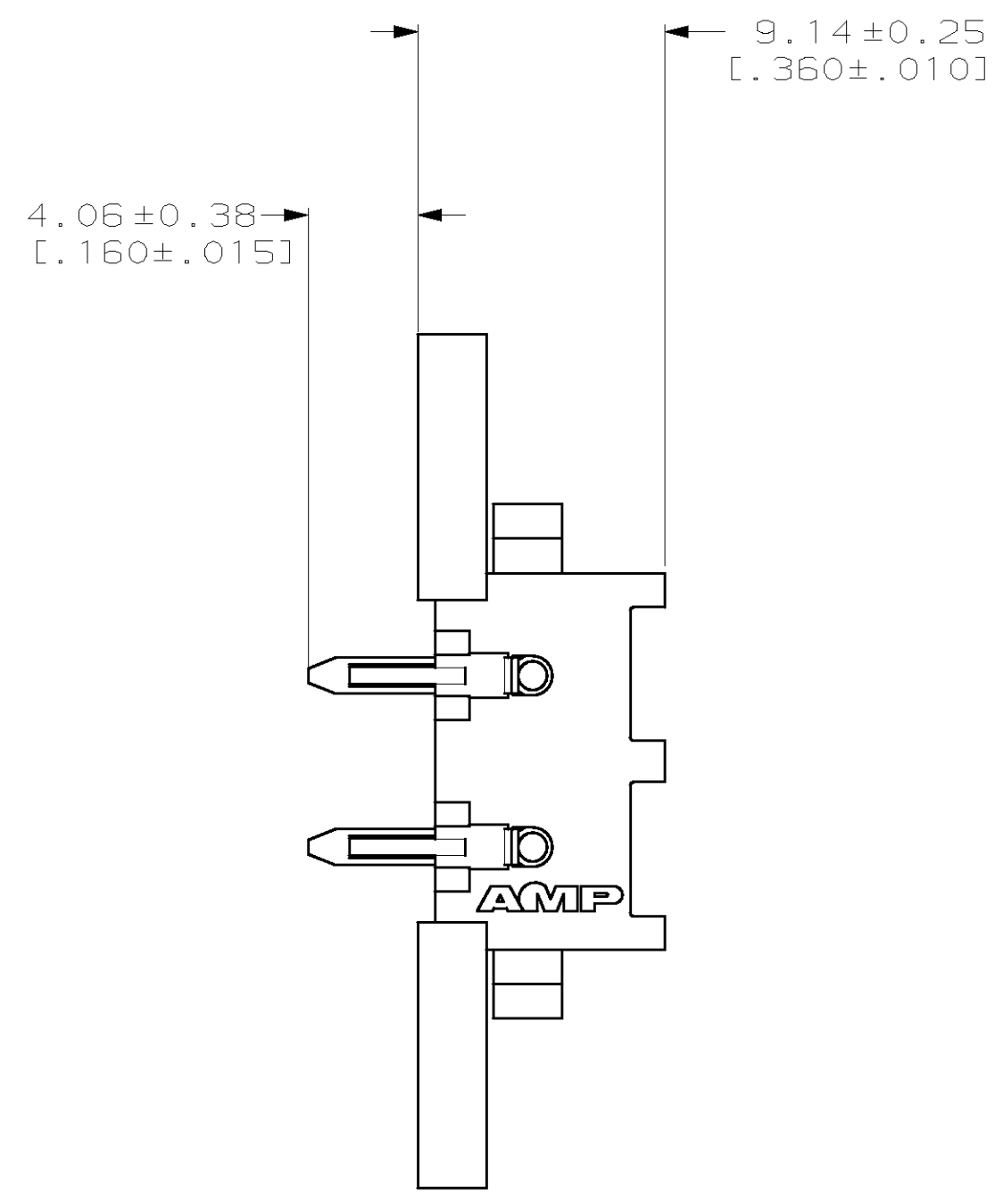
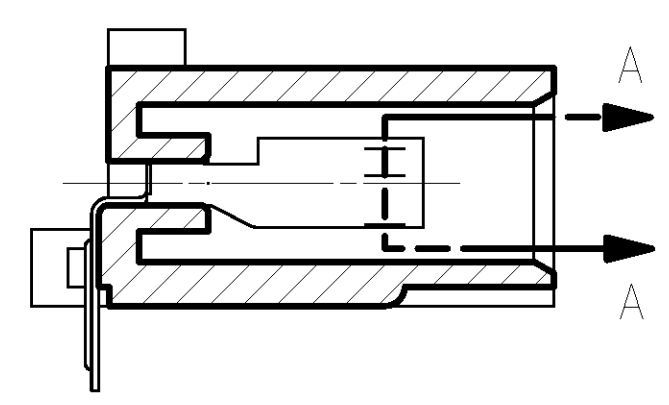


LOC		REV		REVISIONS			
CM	53	TR	LYR	DESCRIPTION	DATE	OWN	APVD
		B		REV & REDWN PER EC 061B-0126-98	4-30-98	BL	RS

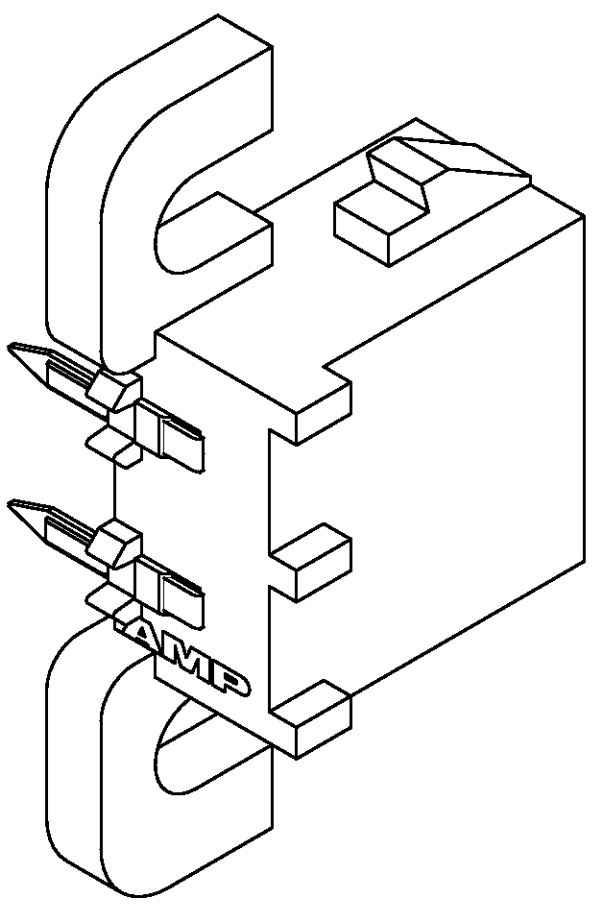
- PARTS COMPLY WITH AMP SOLDERABILITY SPECIFICATION 109-11-5.
- CIRCUIT IDENTIFICATION CHARACTERS ARE ADJACENT TO THE INDICATED CAVITIES, BUT LOCATION AND ORIENTATION MAY DIFFER FROM PRINT.
- DIMENSIONS IN BRACKETS ARE IN INCHES.



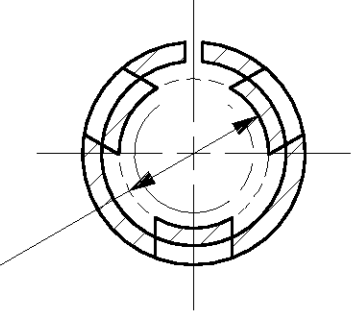
RECOMMENDED MOUNTING HOLE PATTERN FOR .062 [1.57] THICK P.C. BOARD



SECTION B-B



3-DIMENSIONAL MODEL NTS



SECTION A-A
SCALE 10:1

METRIC

THIS DRAWING IS A CONTROLLED DOCUMENT.		OWN: B. LEWIS 4-30-98	AMP Incorporated
DIMENSIONS: INCHES		CHK: R. SWING 4-30-98	Harrisburg, PA 17105-3608
TOLERANCES UNLESS OTHERWISE SPECIFIED:		APVD: K. CORLE 4-30-98	NAME: SOCKET HEADER ASSEMBLY, RIGHT ANGLE MOUNT, 2 POSITION, UNIVERSAL MATE-N-LOK™
0 PLC ± .010	1 PLC ± .015	PRODUCT SPEC: -	SIZE: A1
2 PLC ± .020	3 PLC ± .030	APPLICATION SPEC: -	SCALE CODE: 643226
4 PLC ± .040	5 PLC ± .050	HEIGHT: -	SCALE: 4:1
ANGLES: 45° 30'	FINISH: SEE TABLE	CUSTOMER DRAWING	SHEET 1 OF 1